

Rannie 132Q / Gaulin 132Q

Introduction

The Rannie 132Q / Gaulin 132Q homogeniser, a five plunger, positive displacement, reciprocating pump, is fitted with an application-specific homogenising valve assembly: single-stage with hydraulic actuation.

The Rannie 132Q / Gaulin 132Q homogeniser incorporates a durable slow-speed power end that reduces vibration and noise. Easy access to the hydraulic actuation system, lubrication oil and other auxiliary systems simplifies maintenance saving time and money. Liquid end options include a three-piece valve housing (Rannie) or a mono-block design (Gaulin) (ball and poppet style).

Design features of both the Rannie and Gaulin simplify routine maintenance. Materials for plungers, packings, pump valves, valve seats and seals are custom-selected for your application. APV engineers will work with you to optimise the configuration for your specific application.



STANDARD OPTIONS

- Two-stage hydraulic valve actuation (HVA)
- Single-stage automatic hydraulic system (AHS)
- Two-stage automatic hydraulic system (AHS)
- Pulsation dampener(s) on inlet and outlet
- Aseptic cylinder design
- Electronic pressure transmitter excl. display
- High-pressure outlet
- Inlet pressure gauge
- Plunger lubrication control package
- Micro-Gap homogenising valve
- Tungsten carbide homogenising valve
- Square plunger seals and ceramic plungers (Rannie valve housing only)
- External cooling fan/main motor
- Motor starter
- Control cabinet, stainless steel
- Thermostat/oil temperature

SPECIAL OPTIONS

- Acid-proof cylinder (Gaulin valve housing only)
- Ceramic plungers with U- or V-rings
- Explosion-proof design
- Electropolished wettables
- High-temperature design
- Flow switch - power end cooling
- UFO - Unit for Filtration of Oil



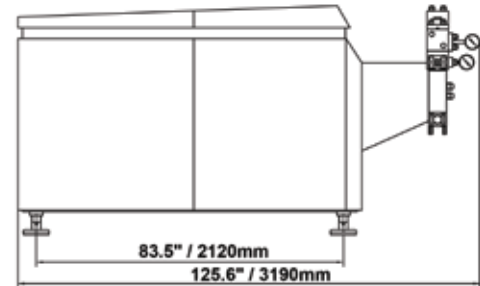
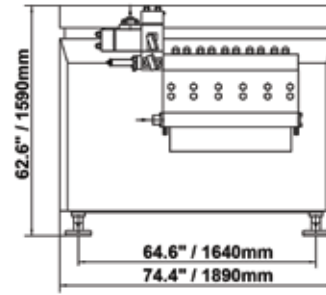
RANNIE THREE-PIECE
VALVE HOUSING



GAULIN MONO-BLOCK
DESIGN

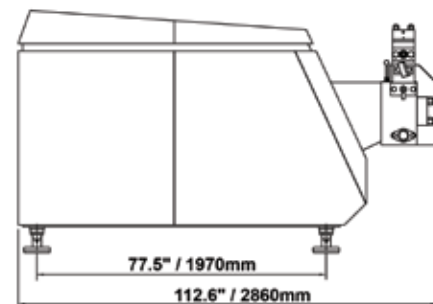
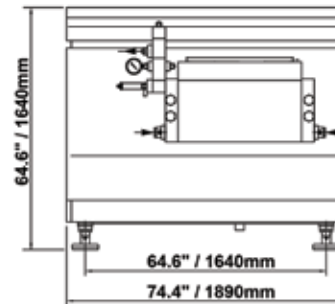
RANNIE/THREE-PIECE VALVE HOUSING POPPET AND BALL TYPE VALVES

TYPE	US MAX. CAP./MAX. PRESS.		METRIC MAX. CAP./MAX. PRESS.	
	GPH	PSI	LPH	BAR
85.595	7920	2500	30000	150
70.595	5280	2900	20000	200
65.595	4490	3625	17000	250
60.595	3830	4300	14500	300
50.595	2640	5800	10000	400
42.595	1850	8700	7000	600



GAULIN/MONO-BLOCK DESIGN

TYPE	US MAX. CAP./MAX. PRESS.		METRIC MAX. CAP./MAX. PRESS.	
	GPH	PSI	LPH	BAR
POPPET TYPE VALVES				
1.5	9000	1500	34000	100
2.0	6600	2000	25000	150
2.5	5020	2500	19000	170
3.0	4490	3000	17000	210
BALL TYPE VALVES				
1.5	8720	1500	33000	100
3.0	4225	3000	16000	210



DIMENSIONS (SINGLE STAGE)

DIMENSIONS PACKED IN A CRATE LXWXH (IN.)	DIMENSIONS PACKED IN A CRATE LXWXH (CM)	CUBIC MEASURE M3	GROSS WEIGHT IN A CRATE INCL. MOTOR
116.8 X 83.6 X 80.8	292 X 209 X 202	12.3	13,230 LB./6,000 KG

SPX

SPX Flow Technology, Oestmarken 7, 2860 Soeborg, Denmark

P: (+45) 70 278 222 F: (+45) 70 278 223

For more information about our worldwide locations, approvals, certifications, and local representatives, please visit www.spx.com.

SPX Corporation reserves the right to incorporate our latest design and material changes without notice or obligation. Design features, materials of construction and dimensional data, as described in this bulletin, are provided for your information only and should not be relied upon unless confirmed in writing.

APV-3026-GB Version: 06/2012 Issued: 11/2012 COPYRIGHT © 2002, 2012 SPX Corporation